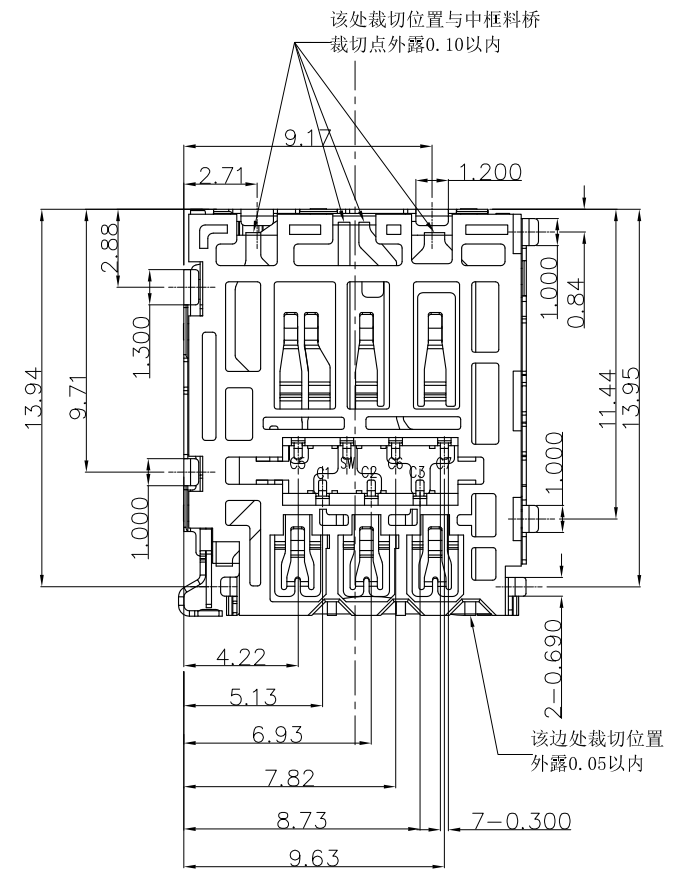
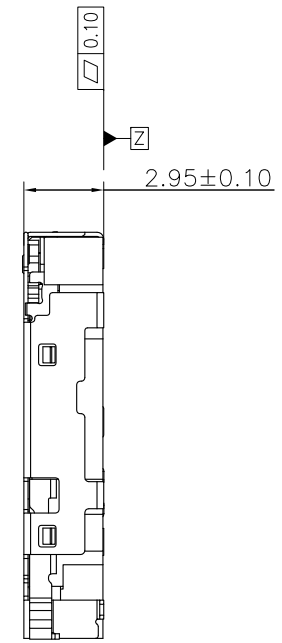
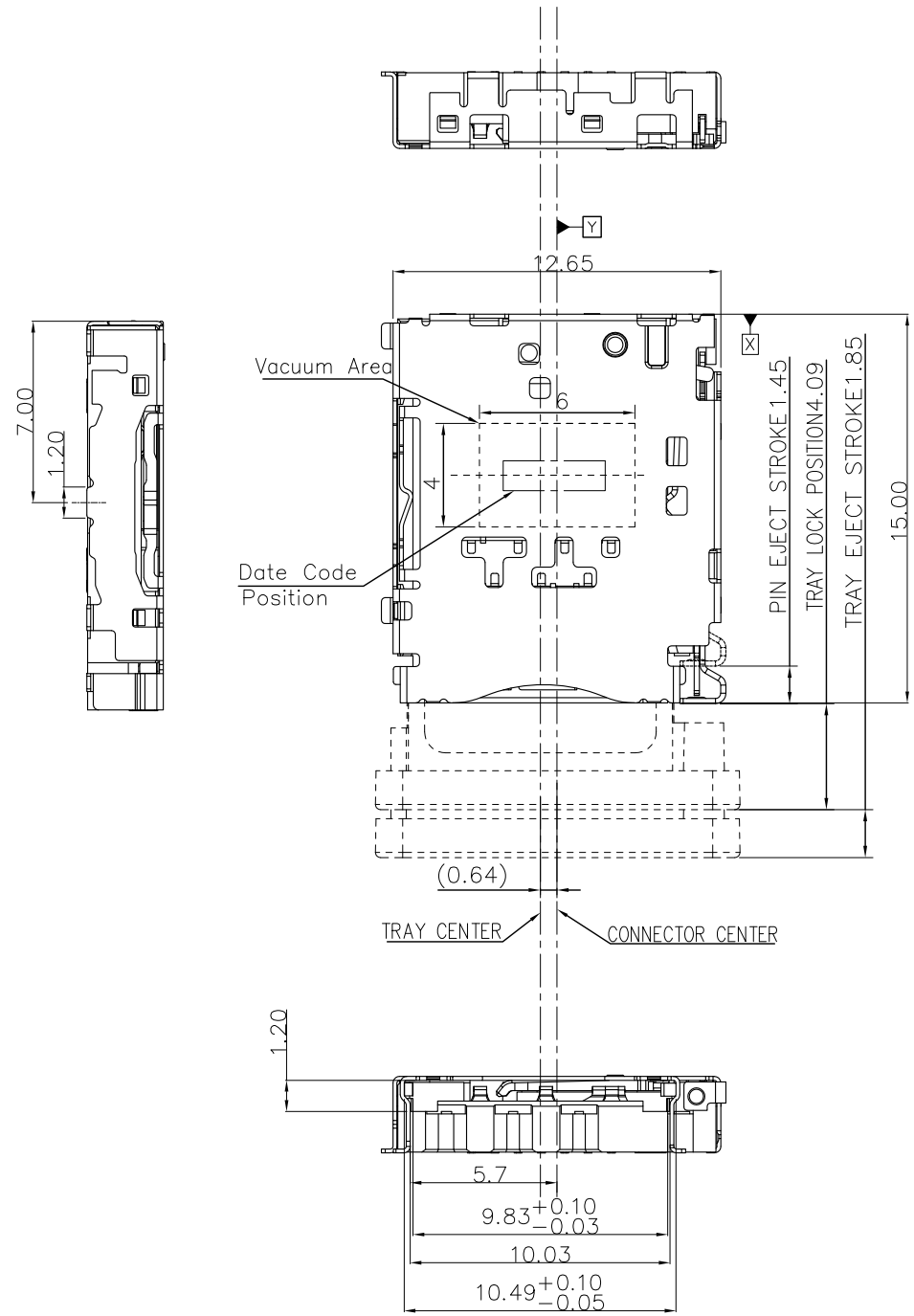


REV.	ECN.NO.	MODIFY.CONTENT	DATE
X1		初版发行	02/12'19

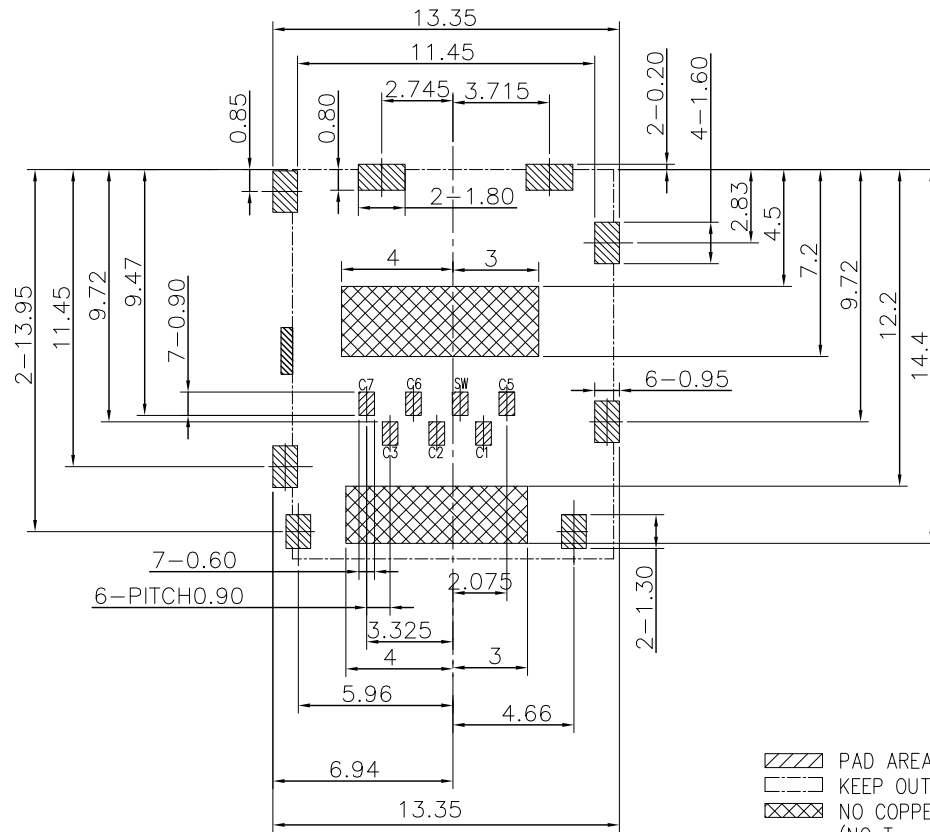


NO.	PART NAME	QTY.	MATERIAL	FINISH	REMARKS
5	PUSHER	1	Stainless steel	CLEANING	---
4	EJECTOR	1	Stainless steel	CLEANING	---
3	SHELL	1	Stainless steel	Au G/F	---
2	TERMINAL	1SET	Copper alloy	Au G/F	---
1	HOUSING	1	LCP UL94V-0, BLACK	N/A	---

GENEAL TOLERANCE		DRAWN	SCALE	PART NO.	1NSM007*06R1R-HF
X.±0.30	x.'±3.0'	CHECKED	1/1	TITLE	NANO SIM H2.95 CARD CONN(SMT)
.X±0.25	.x'±2.0'	APPROVED	UNITS	mm	CUSTOMER DRAWING
.XX±0.20		File NO.	NSM00701FS		
.XXX±0.10		REV.			
SHEET	1/3	Q'TY	1	X1	蘇州祥龍嘉業電子科技股份有限公司 Goldenconn Electronics Technology Co.,LTD

此文件为双方检验的唯一标准
This document is the only standard tested by both parties.

REV.	ECN.NO.	MODIFY.CONTENT	DATE
X1		初版发行	02/12'19



- PAD AREA
- KEEP OUT AREA
- NO COPPER AREA
(NO Trace&Via&GND)
- GND PATTERN ONLY

RECOMMEND P.C.B LAYOUT
(General tolerance ± 0.05)

NOTES:

1. MATERIAL:

- 1.1. HOUSING: LCP E471i, UL94V-0,COLOR:BLACK
- 1.2. CONTACTS: C5210R-EH.
- 1.3. SHELL: SUS301R-H.
- 1.5. EJECTOR: SUS304 3/4H.
- 1.6. Pusher : SUS301R-H.

2. FINISH:

- 2.1 CONTACT: GOLD PLATING ON CONTACT AREA.
50u" MIN NICKEL.PLATING ON ENTIRE CONTACT UNDERPLATED
GOLD FLASH PLATING ON SOLDER TAILS.
- 2.2 SHELL: 30u"MIN BLACK NICKEL OR NICKEL PLATING OVERALL
Au 1u" MIN ON SOLDER TAIL AREA
- 2.3 EJECTOR&PUSHER CLEANING

3. Specification:

- 3-1.Current Rating :0.5mA max.
- 3-2.Contact Resistance: 50 mOhms max
- 3-3.Insulation Resistance:1000 MOhms min./500VDC
- 3-4.Dielectric Withstanding Voltage:500 V AC/1minute
- 3-5.Operating Temperature:-25°C to+85°C
- 3-6.Mating Cycles:5000 Insertions

4 .PRODUCT COMPLIANT TO ROHS AND HALOGEN FREE.

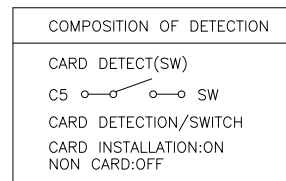
5 .PART NUMBER:1NSM007 * 06R1R-HF

PLATING CODE

- F:Au:1u" MIN.
- E:Au 5u" MIN.
- J:Au 15u" MIN.
- k:Au:30u" MIN.

SIM Card Pin Assignments

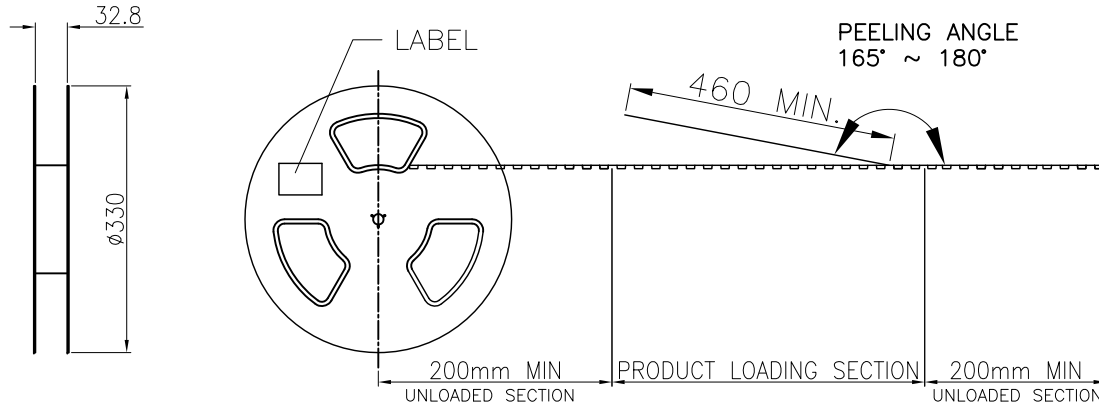
NANO SIM CARD	
C1	Vcc
C2	RST
C3	CLK
C5	GND
SW	CD/SW
C6	Vpp
C7	DATA



GENERAL TOLERANCE		DRAWN	SCALE	PART NO.	1NSM007*06R1R-HF
X. ± 0.30	x.' $\pm 3.0^{\circ}$	CHECKED	1/1	TITLE	
.X ± 0.25	.x' $\pm 2.0^{\circ}$	APPROVED	UNITS	mm	
.XX ± 0.20		File NO.	NSM00701S		CUSTOMER DRAWING
.XXX ± 0.10		REV.			
SHEET	2/3	QTY	1	X1	

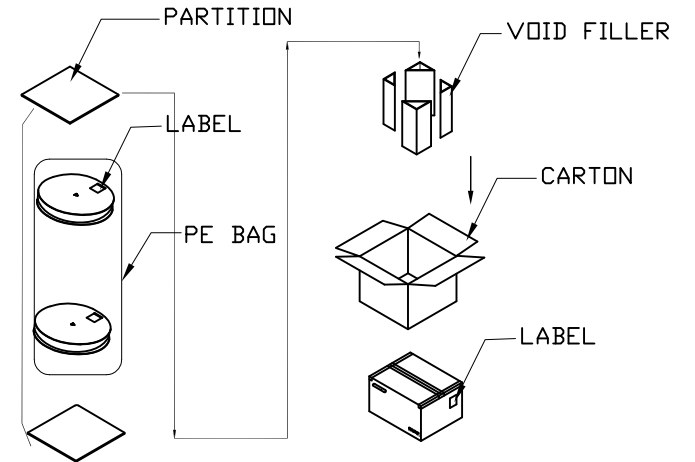
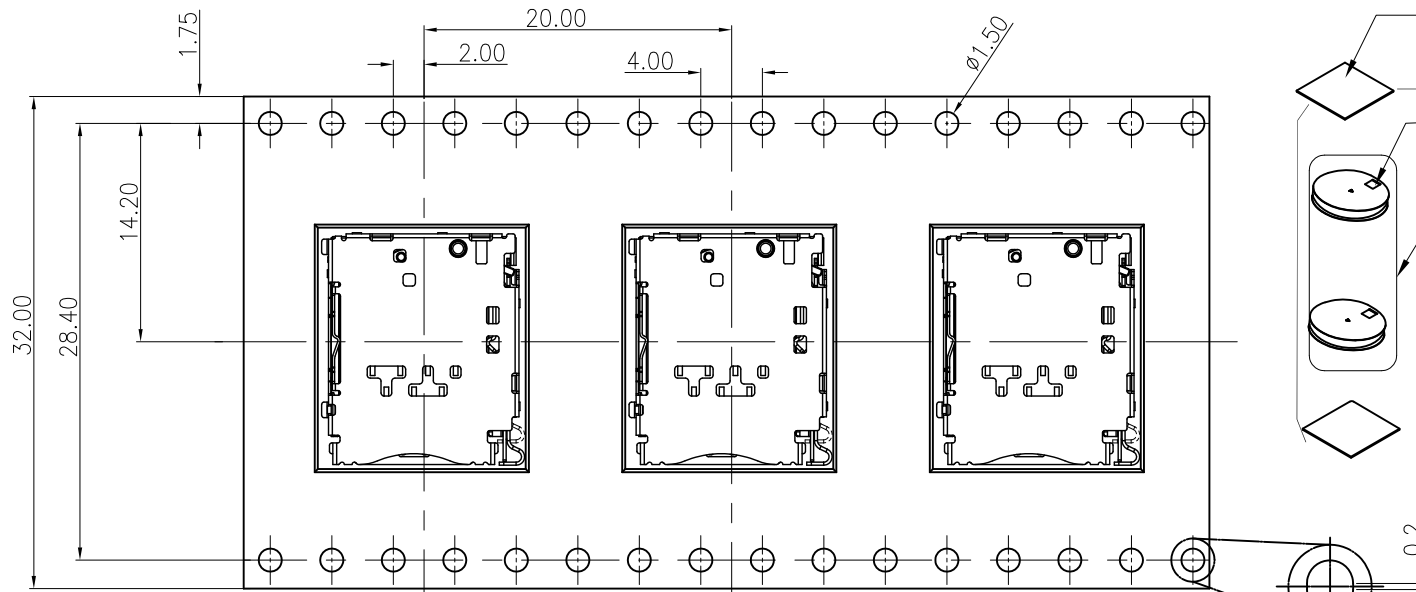
蘇州祥龍嘉業電子科技股份有限公司
Goldenconn Electronics Technology Co.,LTD

REV.	ECN.NO.	MODIFY.CONTENT	DATE
X1		初版发行	02/12'19

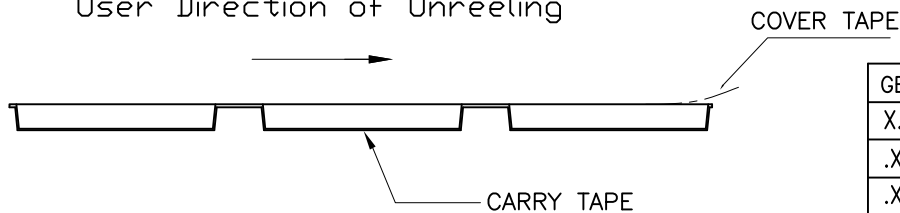


NOTES :

- MATERIAL :
COVER TAPE : P.S T=0.05mm
CARRIER TAPE : P.S T=0.30mm
CARTON: CORRUGATED FIBER
- DIMENSION :
REEL : SEE DRAWING
SHIPPING BOX: 350X350X300mm
- QUANTITY : SEE TABLE
- PEELING RESISTANCE : 10gf~130gf (for 12~56mm)
- PEELING SPEED : 300mm/MINUTES



User Direction of Unreeling



900	7	6300
PCS/REEL	REEL/BOX	TOTAL Q'TY

GENERAL TOLERANCE		DRAWN		SCALE	PART NO.	1NSM007*06R1R-HF
X.±0.40	x.'±1°	CHECKED		N/A	TITLE	NANO SIM H2.95 CARD CONN(SMT)
.X±0.30	.x'±0.1°	APPROVED		UNITS	mm	CUSTOMER DRAWING
.XX±0.25		File NO.	NSM00701S			
.XXX±0.10		REV.		蘇州祥龍嘉業電子有限公司		
SHEET	3/3	Q'TY	1	X1	Goldenconn Electronic Technology Co.,LTD	